

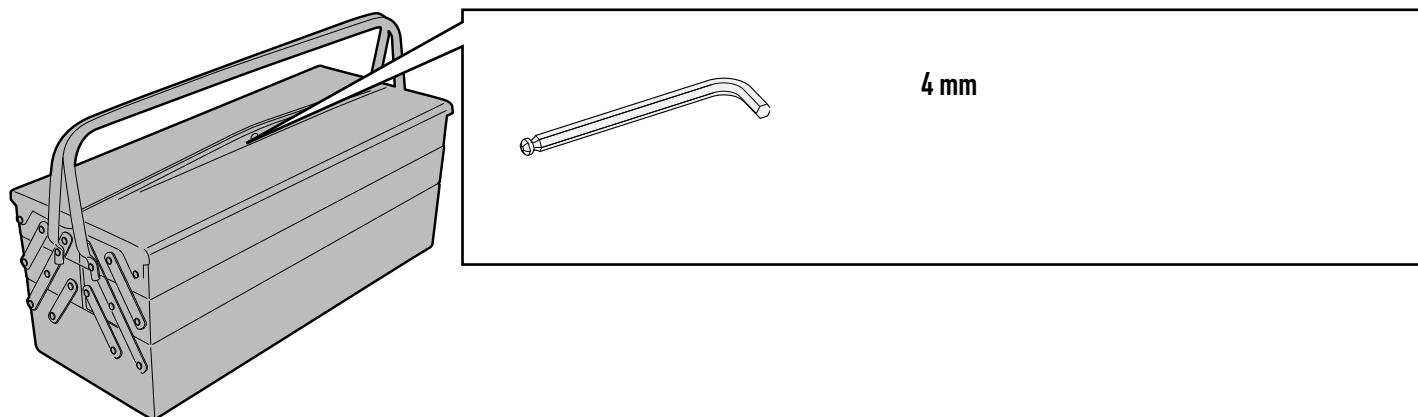
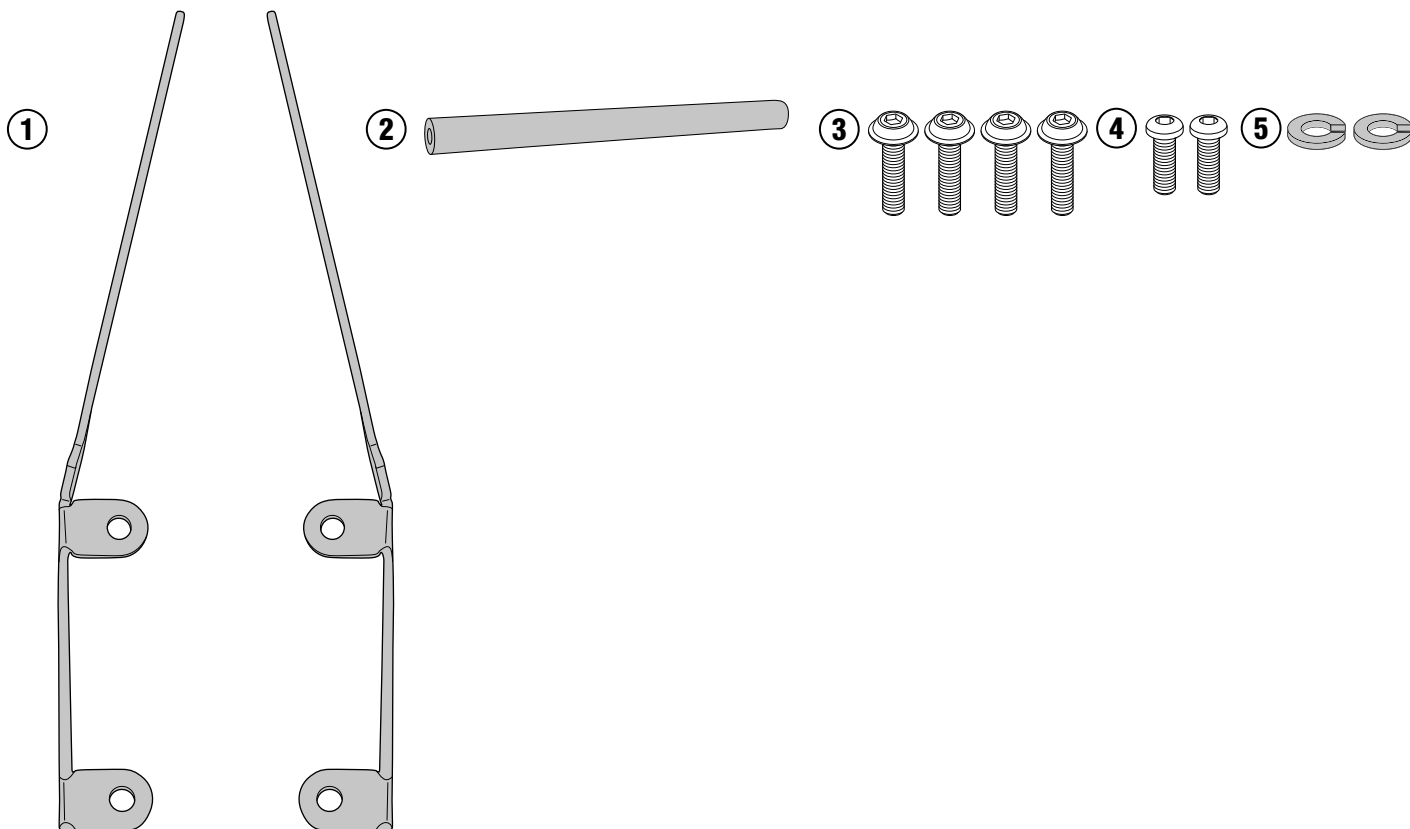
FB2122 – KFB2122

Traversino – Fairing upper bracket – Support gps pour carenage – Barra –
 Halterung zur montage am windschild – Suporte
YAMAHA MT-09 TRACER (2015)

N°	Descrizione	Caratteristiche	Codice	Quantità
1	Supporto - Support - Support Halterung - Soporte - Apoio	-	GL3378DXV GL3378SXV	2 (Dx-Sx)
2	Supporto - Support - Support Halterung - Soporte - Apoio	-	GNB1824V	1
3	Vite - Screw Vis - Schraube Tornillo - Parafuso	TBEIFN M6x20	620TBEIFN	4
4	Vite - Screw Vis - Schraube Tornillo - Parafuso	TBEIFF M6x16	616TBEIFF	2
5	Rondella spaccata - Split washer Scheibe - Rondelle fendue Arandela seccionada - Arruela quebrada	Ø6	Z1063	2
6	Componenti Originali - Original Parts Parties Originales - Original Bauteile Componentes Originales - Componentes Origin	-	-	-
7	Particolari Inclusi nel D2122KIT Components Included In The D2122KIT Pièces Inclues Dans El D2122KIT Bestandteile im D2122KIT enthalten Despieces Incluidos D2122KIT Explodiu incluido da D2122KIT			

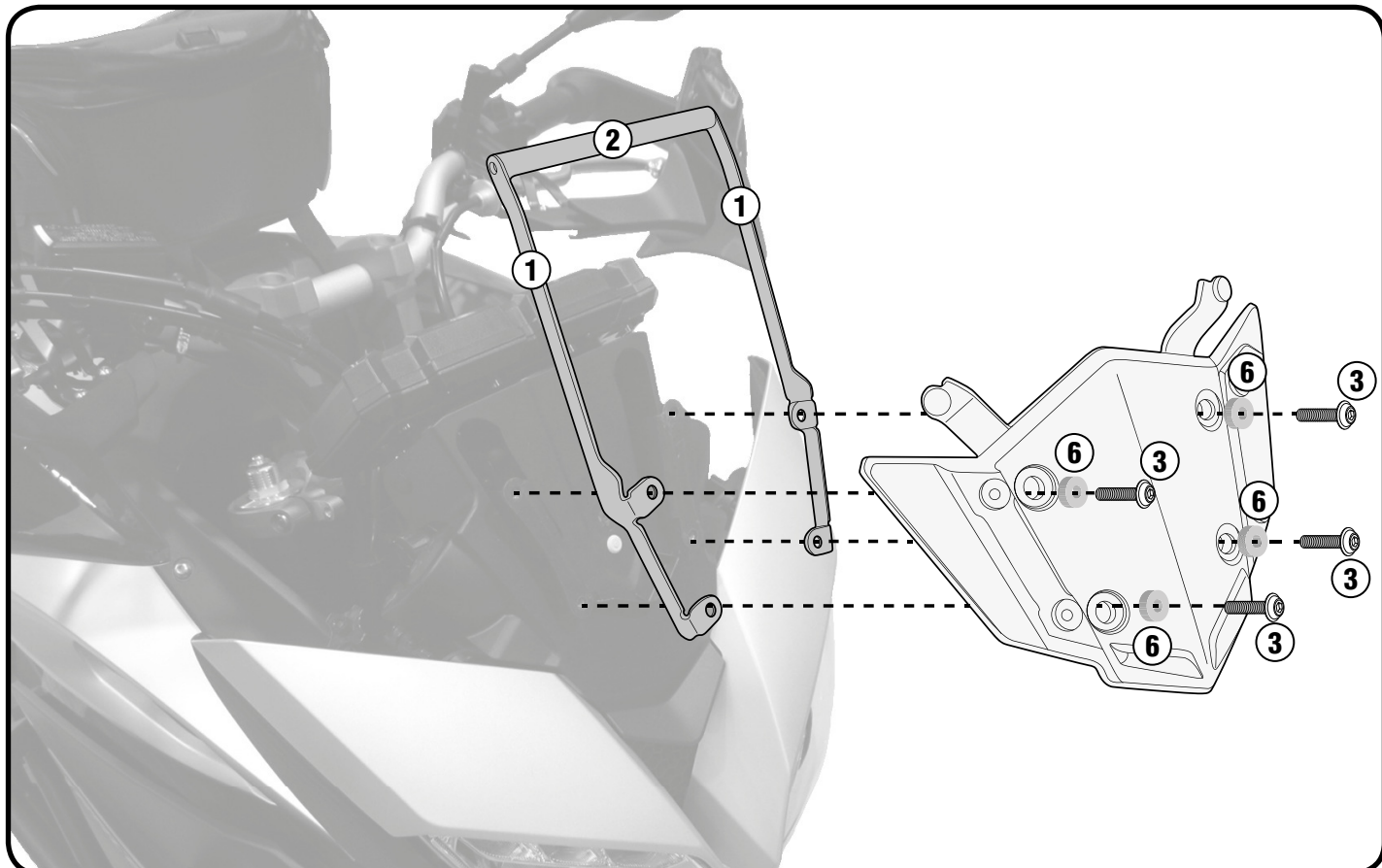
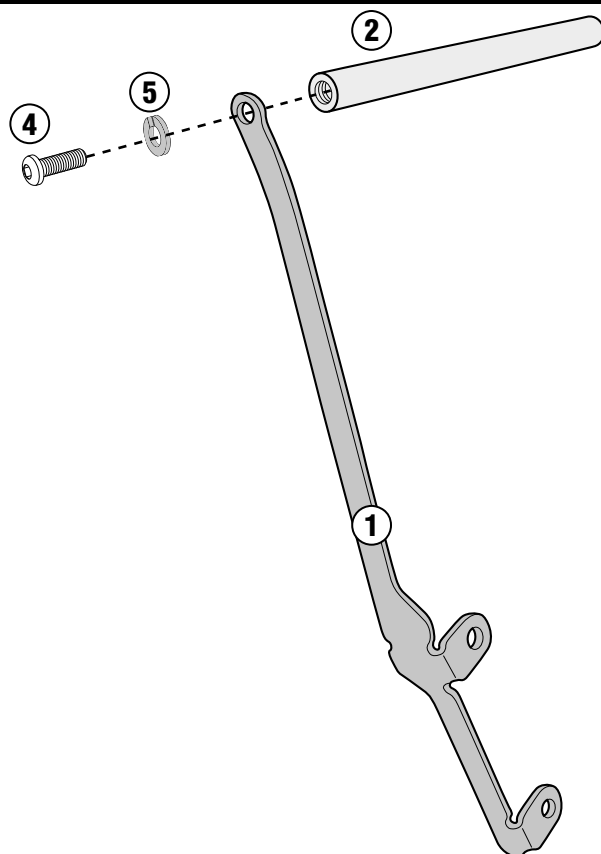
FB2122 - KFB2122

Traversino - Fairing upper bracket - Support gps pour carenage - Barra -
Halterung zur montage am windschild - Suporte
YAMAHA MT-09 TRACER (2015)



FB2122 - KFB2122

Traversino - Fairing upper bracket - Support gps pour carenage - Barra -
Halterung zur montage am windschild - Suporte
YAMAHA MT-09 TRACER (2015)



FB2122 - KFB2122

Traversino - Fairing upper bracket - Support gps pour carenage - Barra -
Halterung zur montage am windschild - Suporte
YAMAHA MT-09 TRACER (2015)

D2122KIT+FB2122

