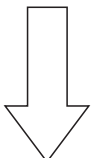


# RP1201 - RP1201K

PARACOPPA - OIL CARTER PROTECTOR - SABOT MOTEUR - SPEZIFISCHER MOTORSCHUTZ - CUBRE CARTER - COBRE CARTER

## HONDA XL 750 TRANSALP (2023)

N°	Descrizione/Description	Caratteristiche/Features	Codice/Code	Quantità/Quantity
1	Paracoppa - Oil Carter Protector Sabot Moteur - Spezifischer Motorschutz Cubre Carter - Cobre Carter	-	GL5707A	1
2	Supporto anteriore - Front support - Support avant Vordere Unterst�tzung - Soporte frontal - Suporte frontal	-	GL5708V	1
3	Supporto inferiore - Lower support - Support inf�rieur Soporte inferior - Untere Halterung - Suporte inferior	-	GL5710V	1
4	Piastrina di supporto - Support plate - Plaque de support Tr�gerplatte - Pletina de soporte - Placa de apoio	-	GL5709DXV GL5709SXV	2(Right:Left)
5	Vite - Screw - Vis - Schraube Tornillo - Parafuso	TSP M8x20	820TSP	8
6	Vite - Screw - Vis - Schraube Tornillo - Parafuso	TBEI M8x35	835TBEI	1
7	Vite - Screw - Vis - Schraube Tornillo - Parafuso	TECF M8x30	830TECF	2
8	Vite - Screw - Vis - Schraube Tornillo - Parafuso	TBEI M8x30	830TBEI	1
9	Vite - Screw - Vis - Schraube Tornillo - Parafuso	TBEI M8x25	825TBEI	2
10	Vite - Screw - Vis - Schraube Tornillo - Parafuso	TCE M6x30	630TCE	1
11	Vite - Screw - Vis - Schraube Tornillo - Parafuso	TBEI M6x20	620TBEI	1
12	Vite - Screw - Vis - Schraube Tornillo - Parafuso	TES M10x80	1080TES	2
13	Rondella Inox - Stainless Steel Washer Rondelle Inox - Rostfreie Unterlegscheibe Aus Stahl Arandela Inox - Arruela Lisa De Aço Inox	Foro �8mm / External �14mm Sp.0.3mm	805RONX	4
14	Rondella spaccata - Split washer - Scheibe Rondelle fendue - Arandela seccionada - Arruela Dentada	Foro �8mm	Z1060	4
15	Rondella - Washer - Rondelle - Scheibe Arandela - Arruela	Foro �6mm / External �20mm Sp.1.5mm	620RON	1
16	Rondella - Washer - Rondelle - Scheibe Arandela - Arruela	Foro �6mm	6RON	1
17	Rondella spaccata - Split washer - Scheibe Rondelle fendue - Arandela seccionada - Arruela Dentada	Foro �6mm	Z1063	2
18	Rondella - Washer - Rondelle - Scheibe Arandela - Arruela	Foro �10mm	10RON	2
19	Dado - Bolt - Ecrou Mutter - Tuerca - Porca	Dado Autobloccante Flangiato M8 (H.9.5mm)	8DADIFN	6
20	Dado - Bolt - Ecrou Mutter - Tuerca - Porca	Dado Autobloccante Flangiato Basso M6 (H.7mm)	6DADIABFN	1
21	Dado - Bolt - Ecrou Mutter - Tuerca - Porca	Dado Autobloccante M10	10DADIBS	2
22	Tappo - Cap - Fiche - Stecker Enchufe - Capa	-	17COP	2

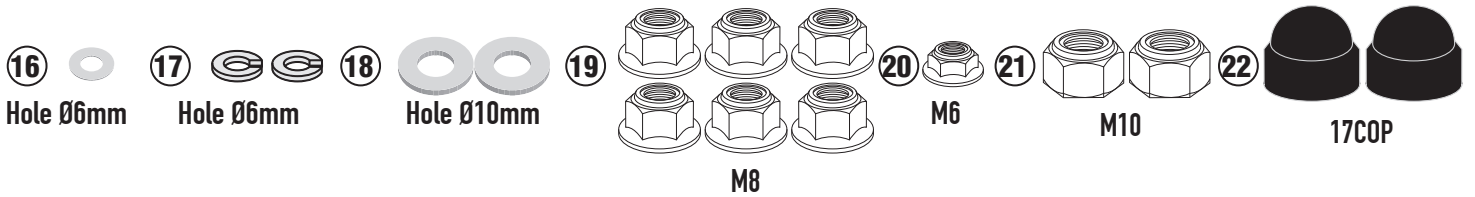
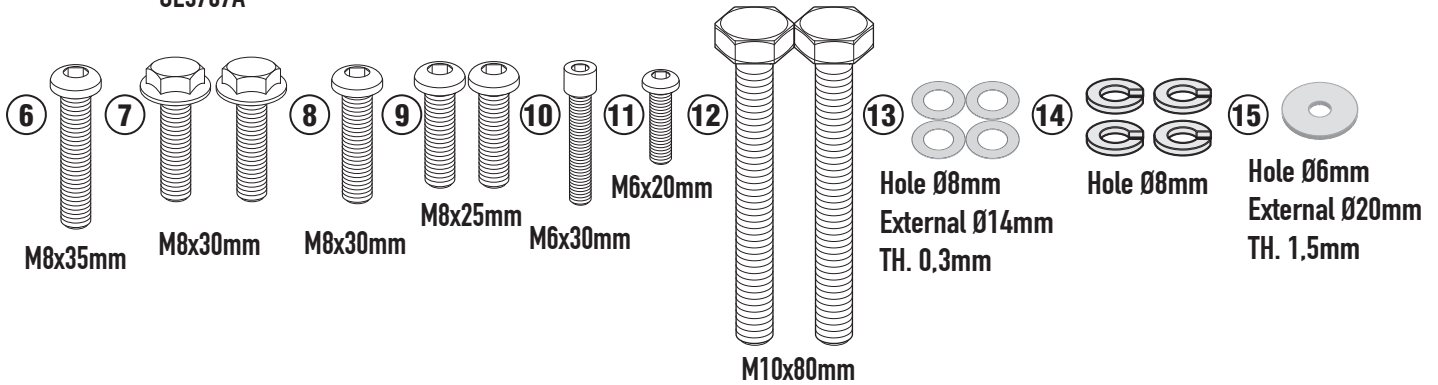
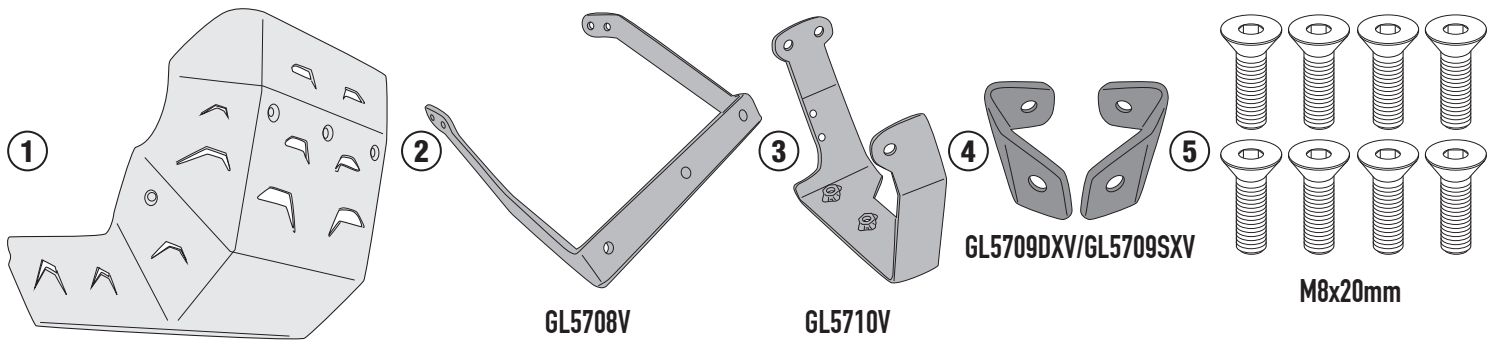


# RP1201 - RP1201K

PARACOPPA - OIL CARTER PROTECTOR - SABOT MOTEUR - SPEZIFISCHER MOTORSCHUTZ - CUBRE CARTER - COBRE CARTER

## HONDA XL 750 TRANSALP (2023)

N°	Descrizione/Description	Caratteristiche/Features	Codice/Code	Quantità/Quantity
23	Particolari Inclusi nel TN1201 Components Included In The TN1201 Pièces Incluses Dans TN1201 Die Einzelnen Teile Sind Bei TN1201 Despieces Incluidos En El TN1201 Componentes incluidos na TN1201	-	-	-
24	Componenti Originali - Original Parts Parties Originales - Original Bauteile Componentes Originales - Componentes Originais	-	-	-

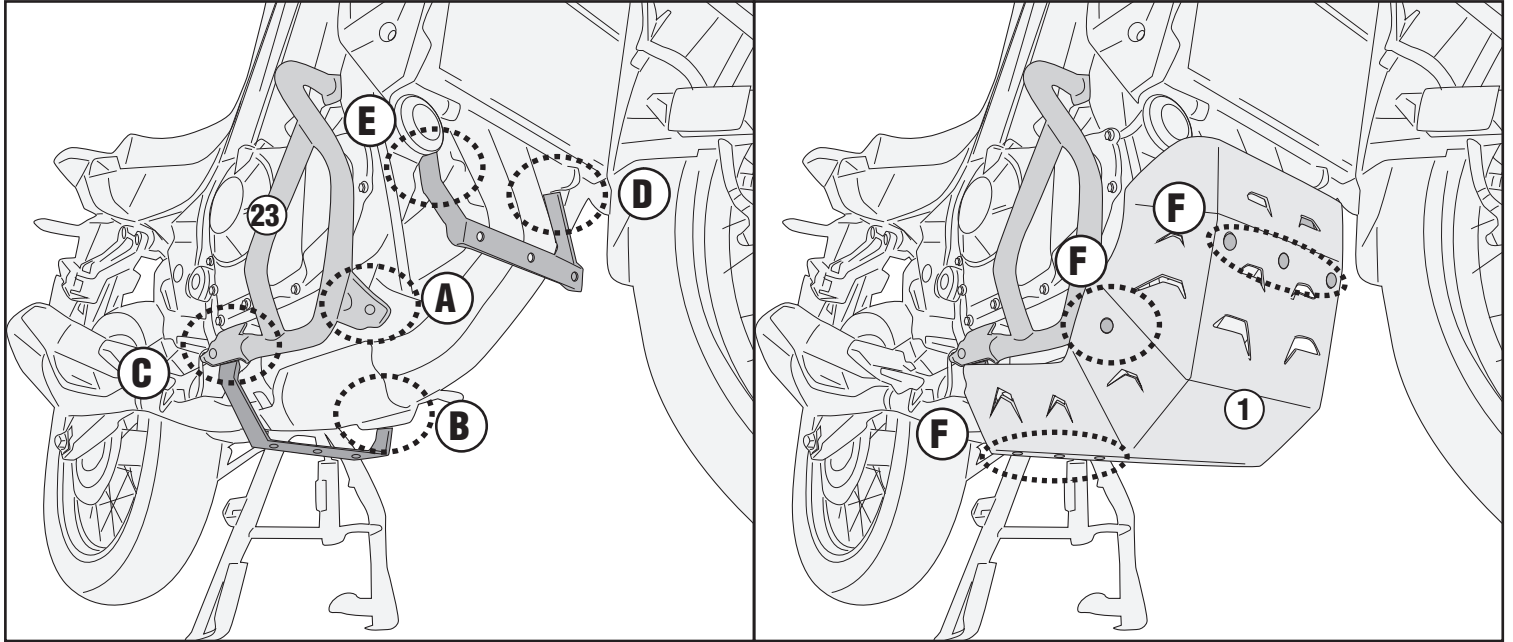


ISTRUZIONI DI MONTAGGIO - MOUNTING INSTRUCTIONS  
INSTRUCTIONS DE MONTAGE - BAUANLEITUNG  
INSTRUCCIONES DE MONTAJE - INSTRUÇÕES DE MONTAGEM

# RP1201 - RP1201K

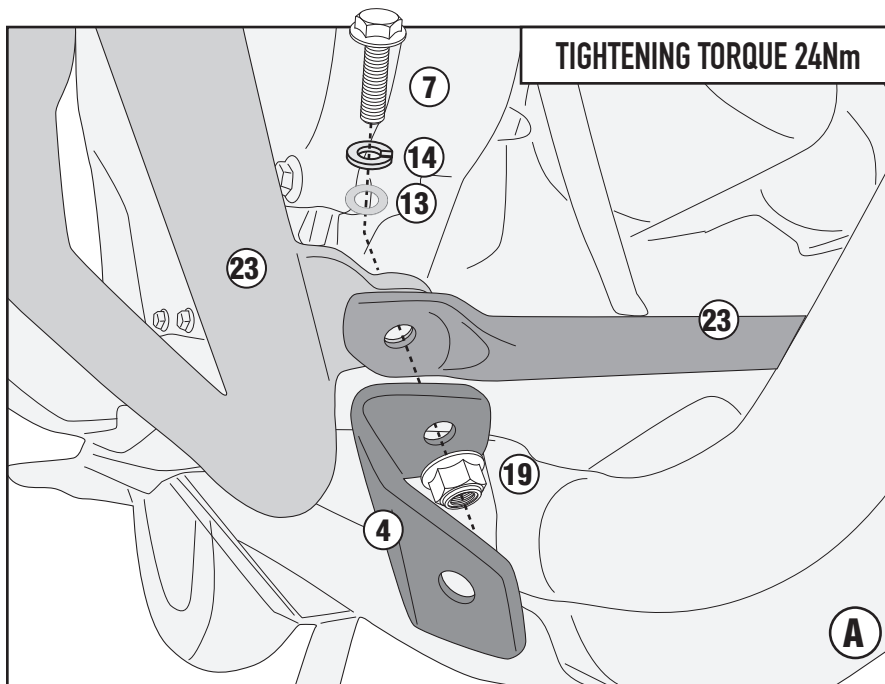
PARACOPPA - OIL CARTER PROTECTOR - SABOT MOTEUR - SPEZIFISCHER MOTORSCHUTZ - CUBRE CARTER - COBRE CARTER

## HONDA XL 750 TRANSALP (2023)



LEFT SIDE / RIGHT SIDE

RP1201+TN1201



# RP1201 - RP1201K

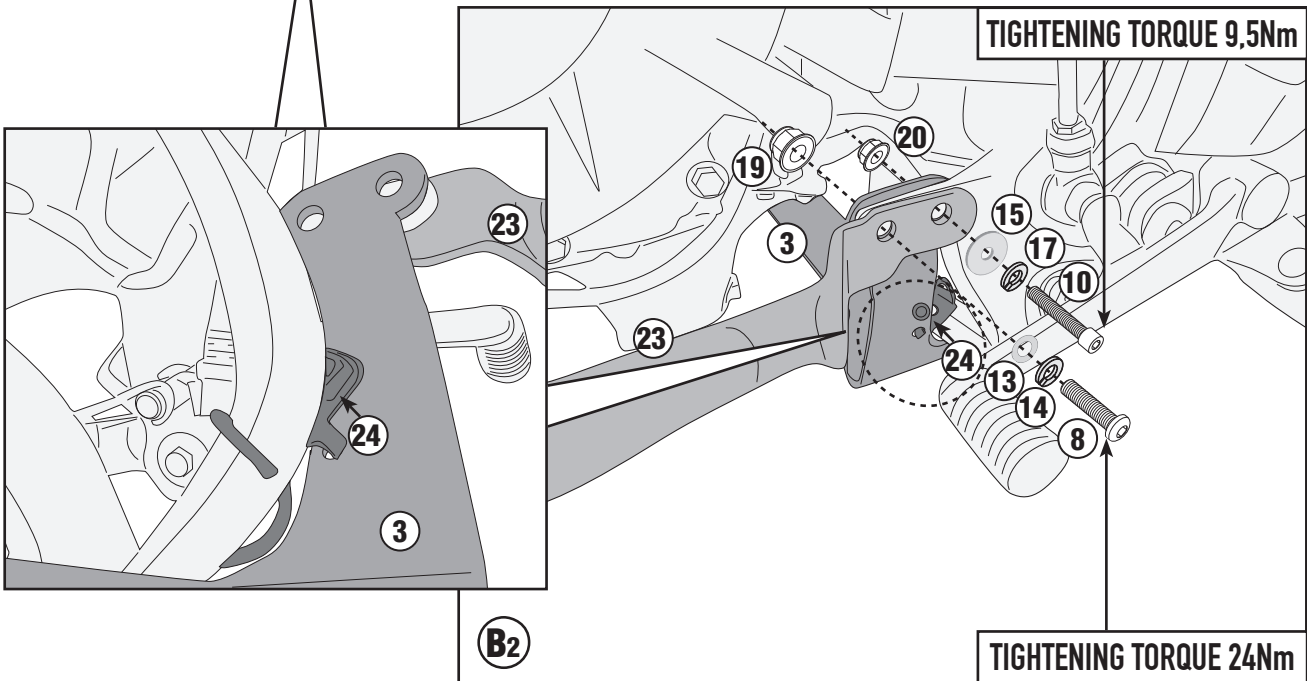
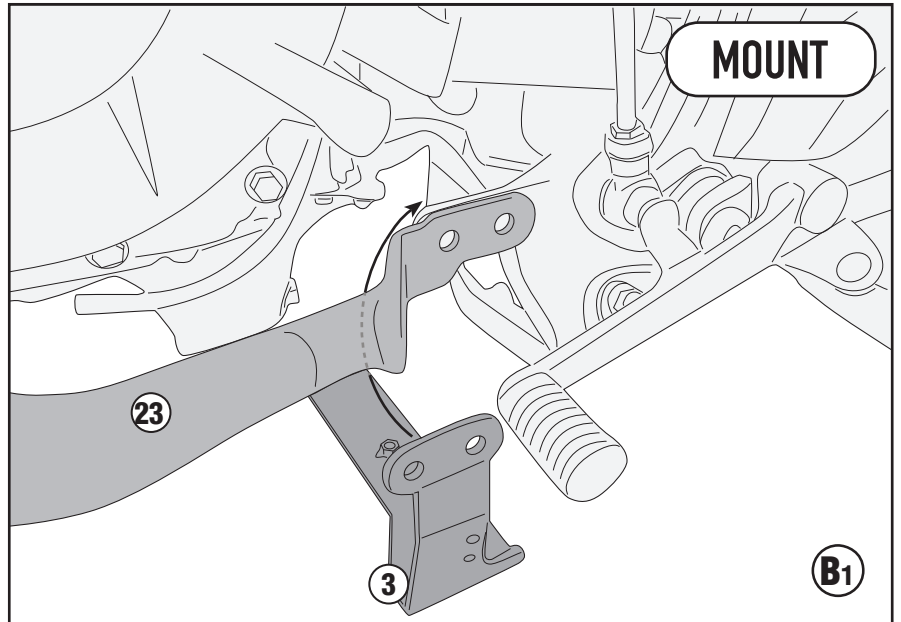
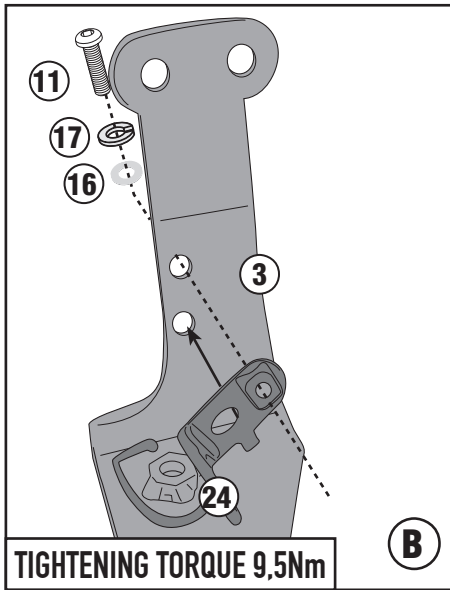
PARACOPPA - OIL CARTER PROTECTOR - SABOT MOTEUR - SPEZIFISCHER MOTORSCHUTZ - CUBRE CARTER - COBRE CARTER

## HONDA XL 750 TRANSALP (2023)

### LEFT SIDE

ONLY RP1201

RP1201+TN1201



# RP1201 - RP1201K

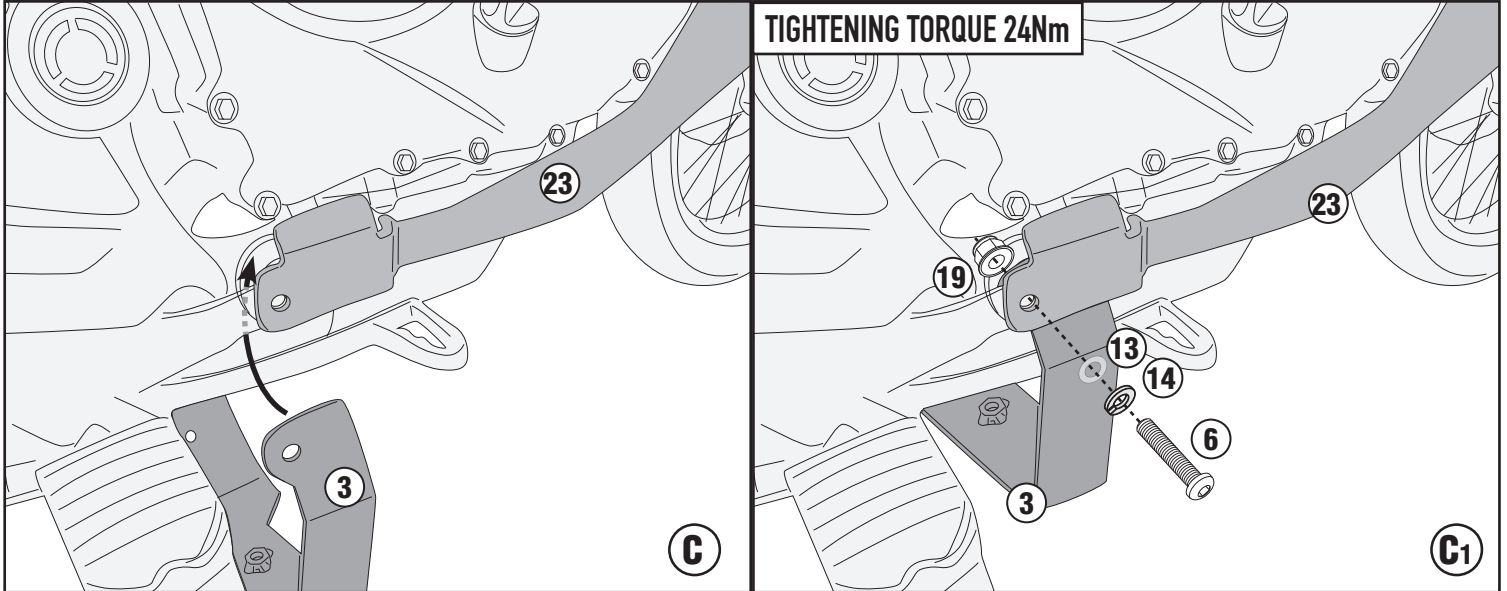
PARACOPPA - OIL CARTER PROTECTOR - SABOT MOTEUR - SPEZIFISCHER MOTORSCHUTZ - CUBRE CARTER - COBRE CARTER

## HONDA XL 750 TRANSALP (2023)

### RIGHT SIDE

ONLY RP1201

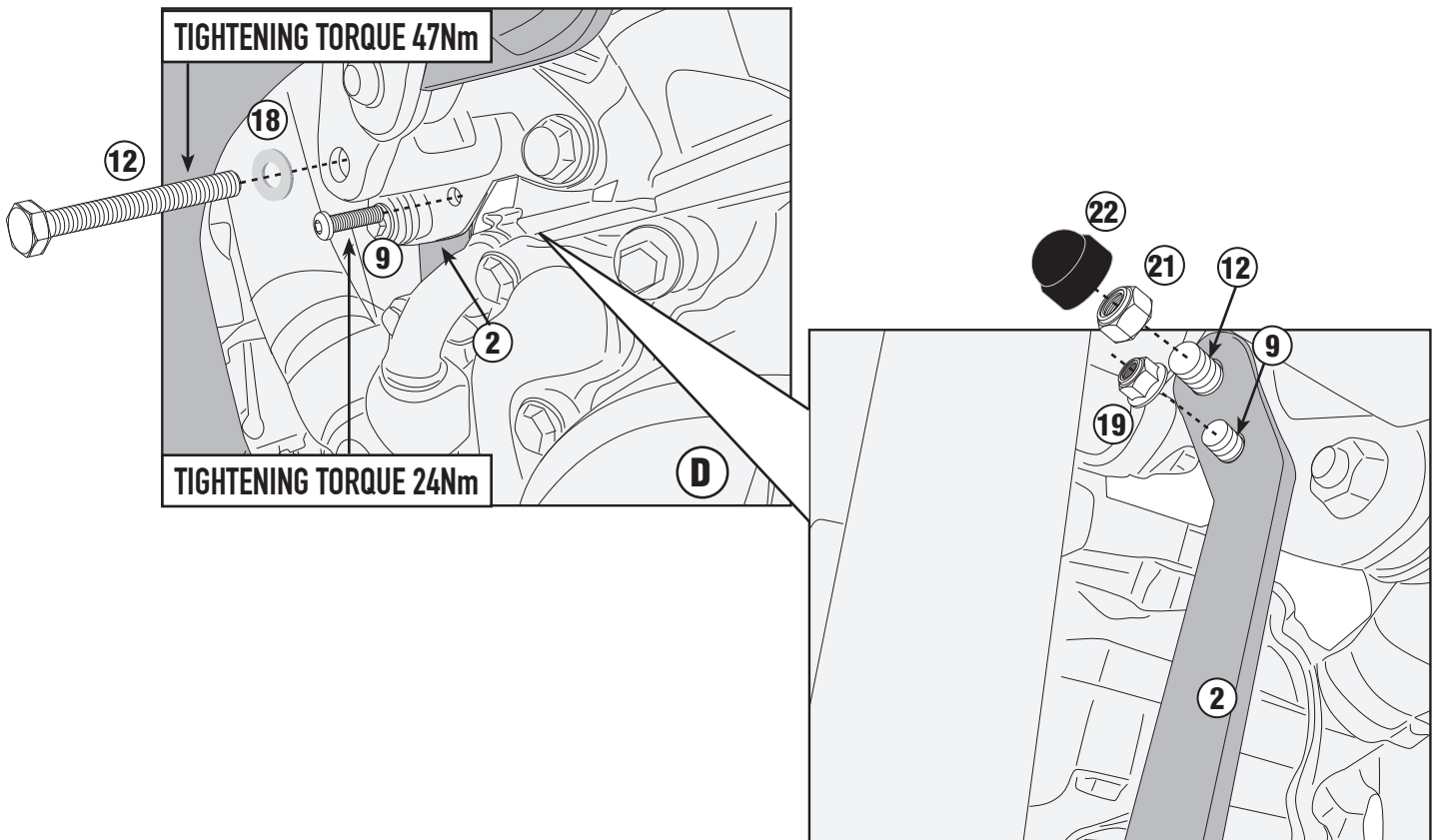
RP1201+TN1201



### LEFT SIDE

ONLY RP1201

RP1201+TN1201



# RP1201 - RP1201K

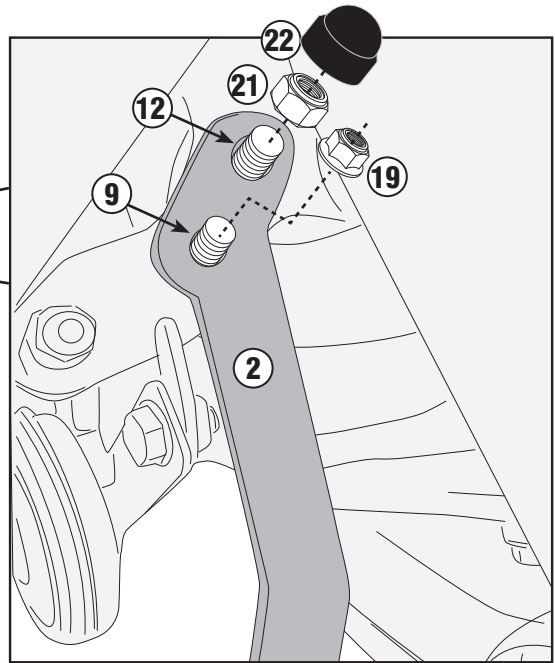
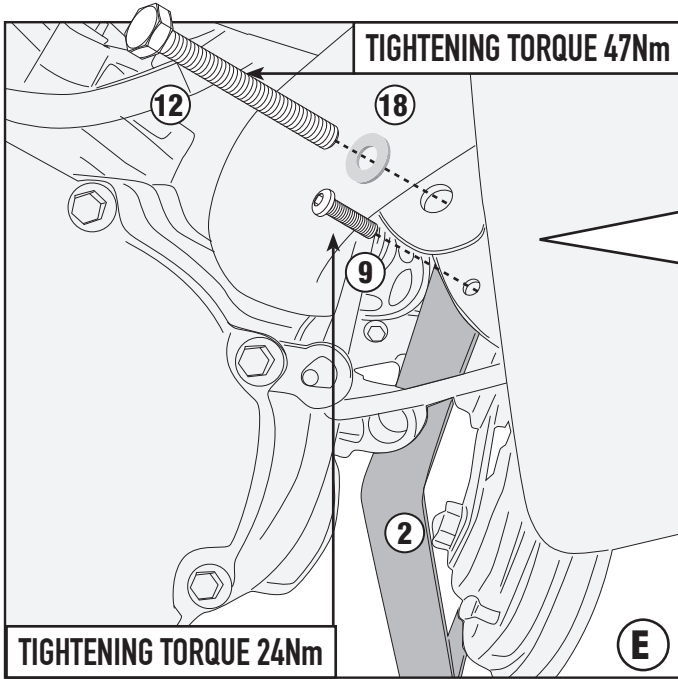
PARACOPPA - OIL CARTER PROTECTOR - SABOT MOTEUR - SPEZIFISCHER MOTORSCHUTZ - CUBRE CARTER - COBRE CARTER

## HONDA XL 750 TRANSALP (2023)

### RIGHT SIDE

#### ONLY RP1201

#### RP1201+TN1201



#### RP1201+TN1201

#### ONLY RP1201

