

RP9150 – RP9150K

PARACOPPA – OIL CARTER PROTECTOR – SABOT MOTEUR – SPEZIFISCHER MOTORSCHUTZ – CUBRE CARTER – COBRE CARTER

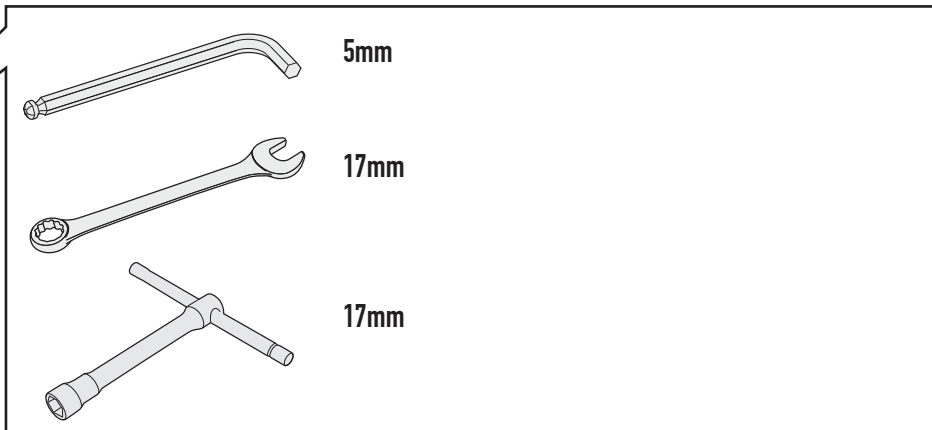
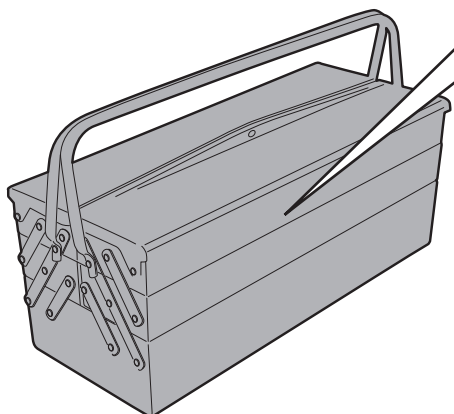
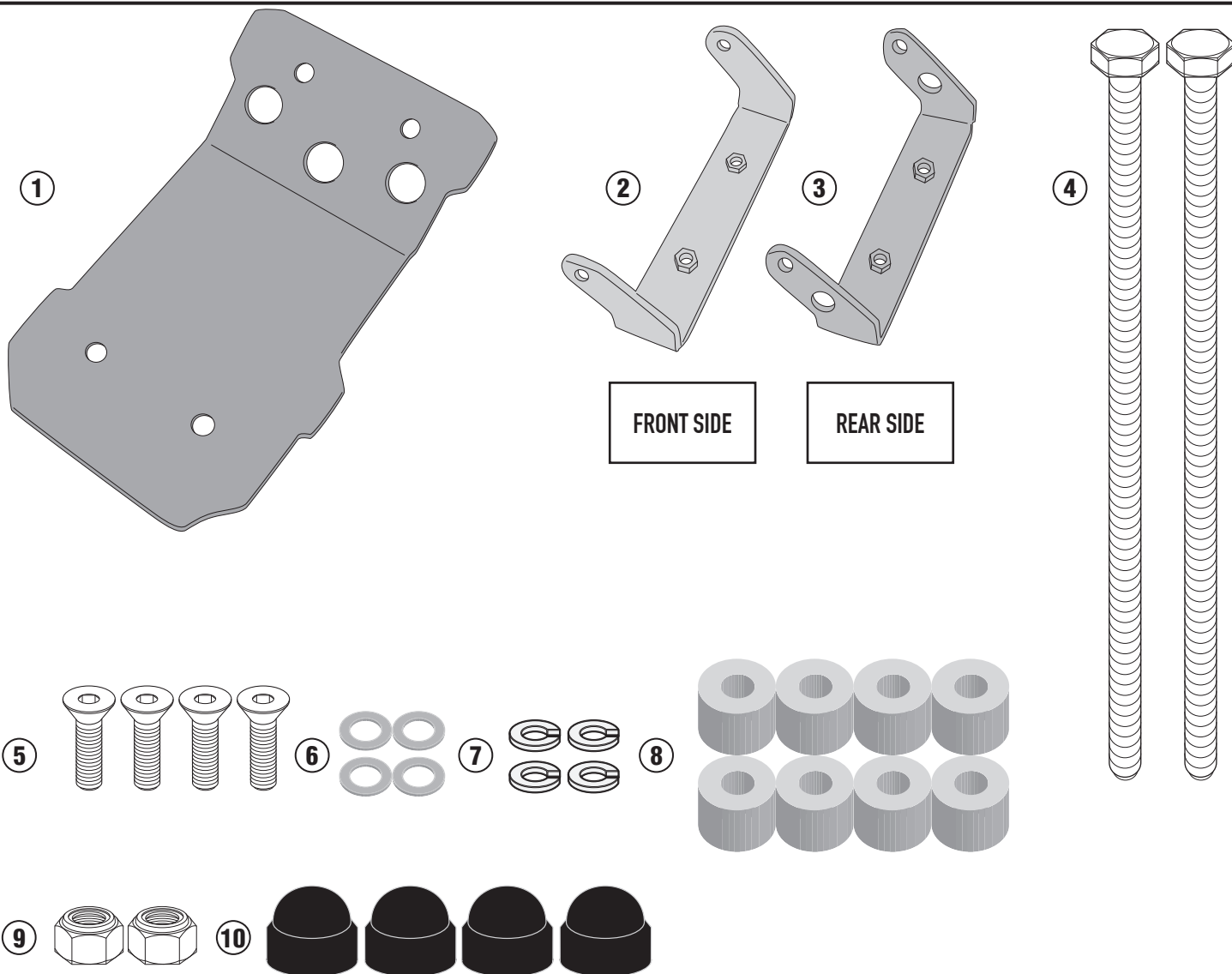
FANTIC CABALLERO 500 (2018/2019)

N°	Descrizione/Description	Caratteristiche/Features	Codice/Code	Quantità/Quantity
1	Paracoppa - Oil Carter Protector Sabot Moteur - Spezifischer Motorschutz Cubre Carter - Cobre Carter	Sp.5mm	GL4250AG	1
2	Supporto - Support - Support Halterung - Soporte - Apoio	Front Side	GL4248V	1(Front Side)
3	Supporto - Support - Support Halterung - Soporte - Apoio	Rear Side	GL4249V	1(RearSide)
4	Vite - Screw Vis - Schraube Tornillo - Parafuso	TES M10x220	10220TES	2
5	Vite - Screw Vis - Schraube Tornillo - Parafuso	TSP M8x20	820TSP	4
6	Rondella Inox - Stainless Steel Washer Rondelle Inox -Rostfreie Unterlegscheibe Aus Stahl Arandela Inox - Arruela Lisa De Aço Inox	Ø10	101RON	4
7	Rondella spaccata - Split washer Scheibe - Rondelle fendue Arandela seccionada - Arruela Dentada	Ø10	10RONSX	4
8	Distanziale - Spacer Entretoise - Distanzstueck Distanciador - Espaçador	Ø24x18 Foro 10.5mm	C24L18F10,5T	8
9	Dado - Bolt - Ecrou Mutter - Tuerca - Porca	Dado Autobloccante Alto M10 Passo 1,25	10DADIAUS	2
10	Coprivite - Screw Cap Cache Vis - Stopsschraube Tapa Tornillo - Capa do Parafuso	-	17COP	4
11	Componenti Originali - Original Parts Parties Originales - Original Bauteile Componentes Originales - Componentes Originais	-	-	-

RP9150 - RP9150K

PARACOPPA - OIL CARTER PROTECTOR - SABOT MOTEUR - SPEZIFISCHER MOTORSCHUTZ - CUBRE CARTER - COBRE CARTER

FANTIC CABALLERO 500 (2018/2019)

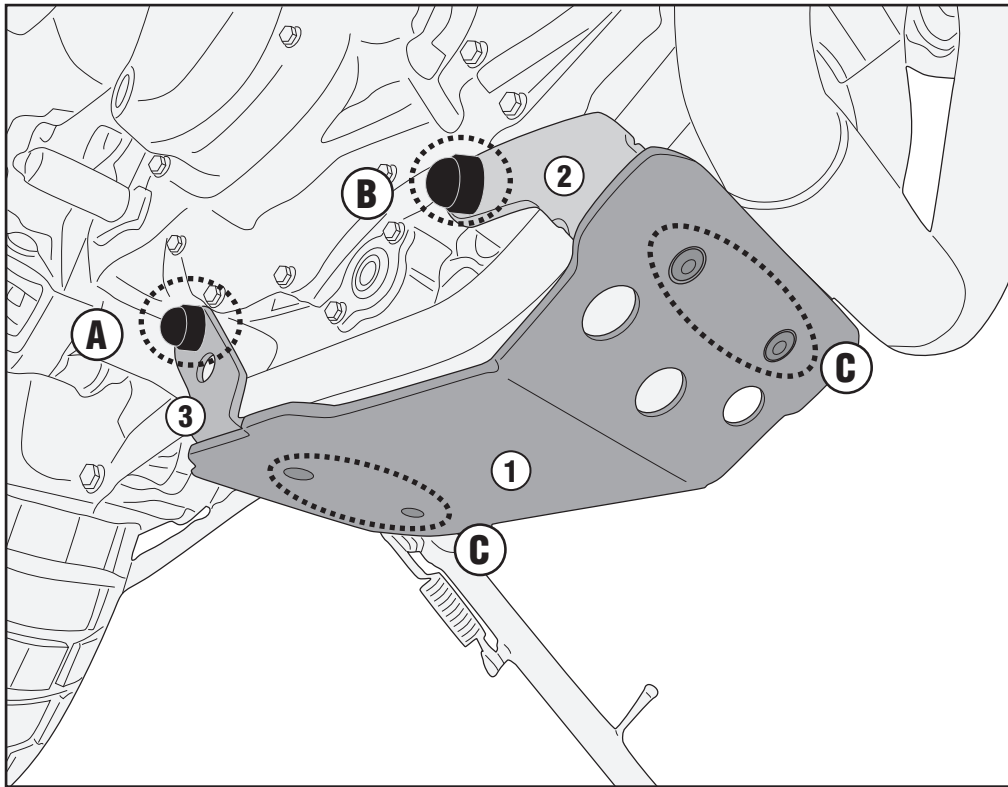


ISTRUZIONI DI MONTAGGIO - MOUNTING INSTRUCTIONS
INSTRUCTIONS DE MONTAGE - BAUANLEITUNG
INSTRUCCIONES DE MONTAJE - INSTRUÇÕES DE MONTAGEM

RP9150 - RP9150K

PARACOPPA - OIL CARTER PROTECTOR - SABOT MOTEUR - SPEZIFISCHER MOTORSCHUTZ - CUBRE CARTER - COBRE CARTER

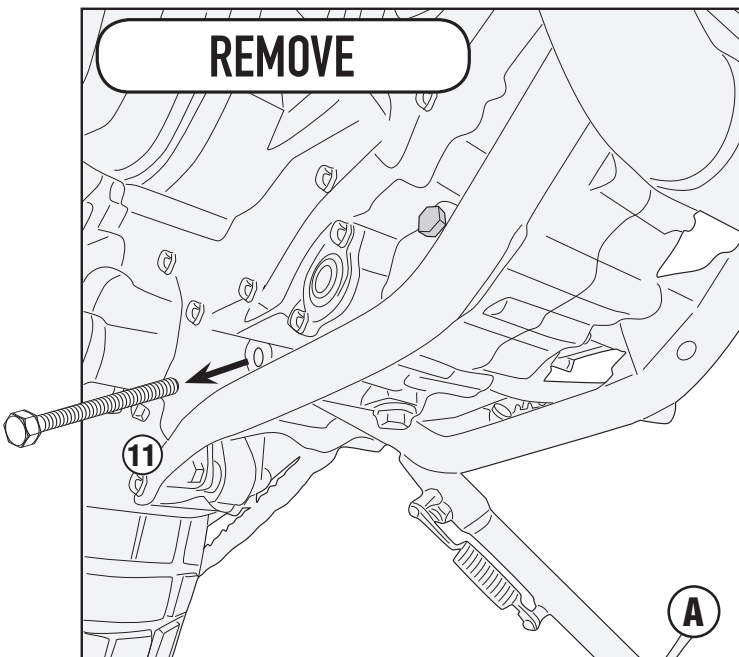
FANTIC CABALLERO 500 (2018/2019)



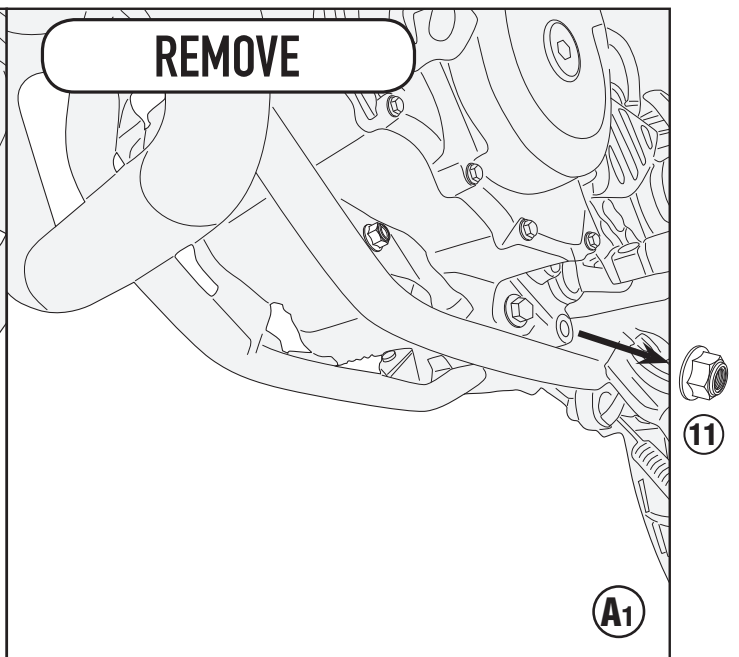
REAR RIGHT SIDE

REAR LEFT SIDE

REMOVE



REMOVE

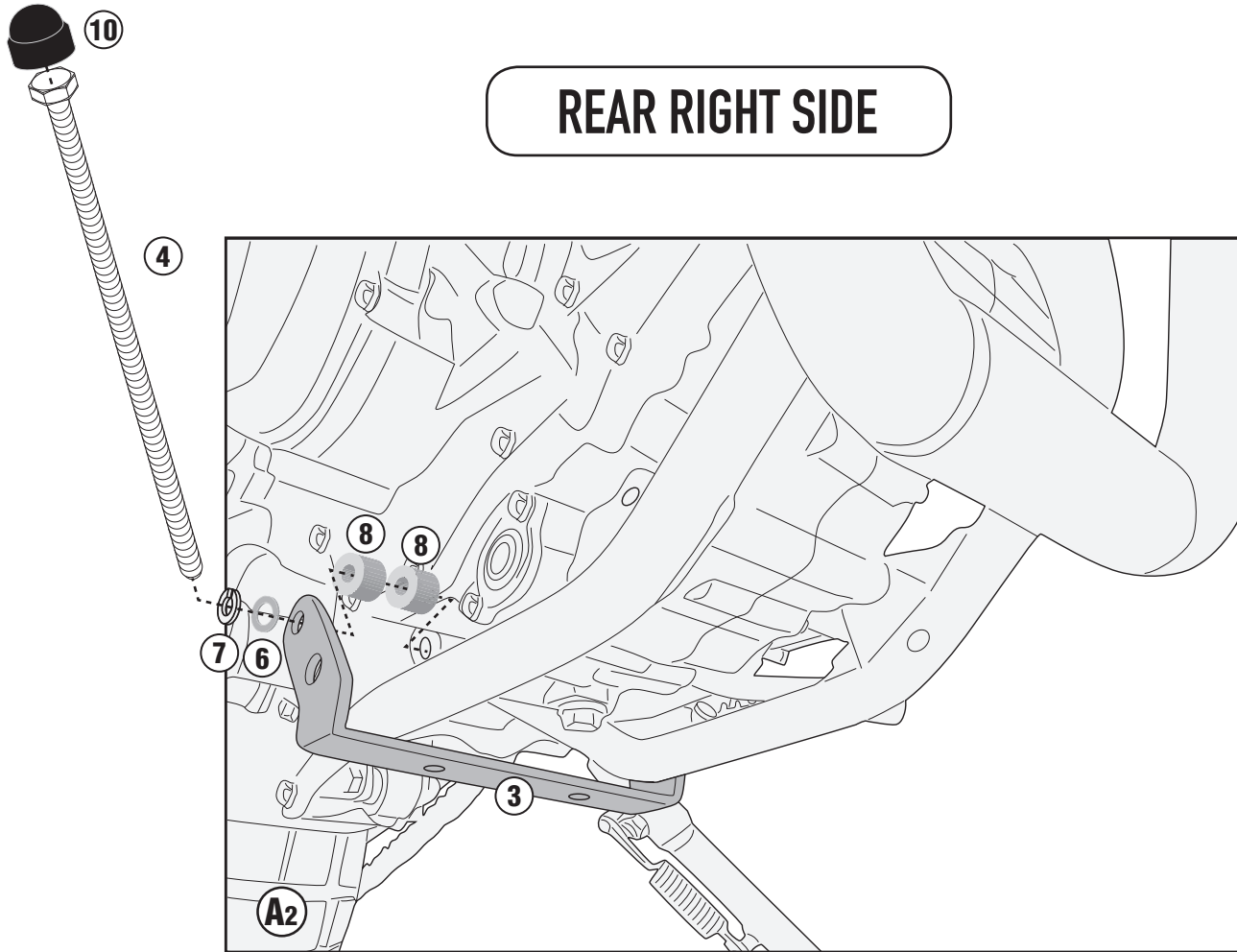


RP9150 - RP9150K

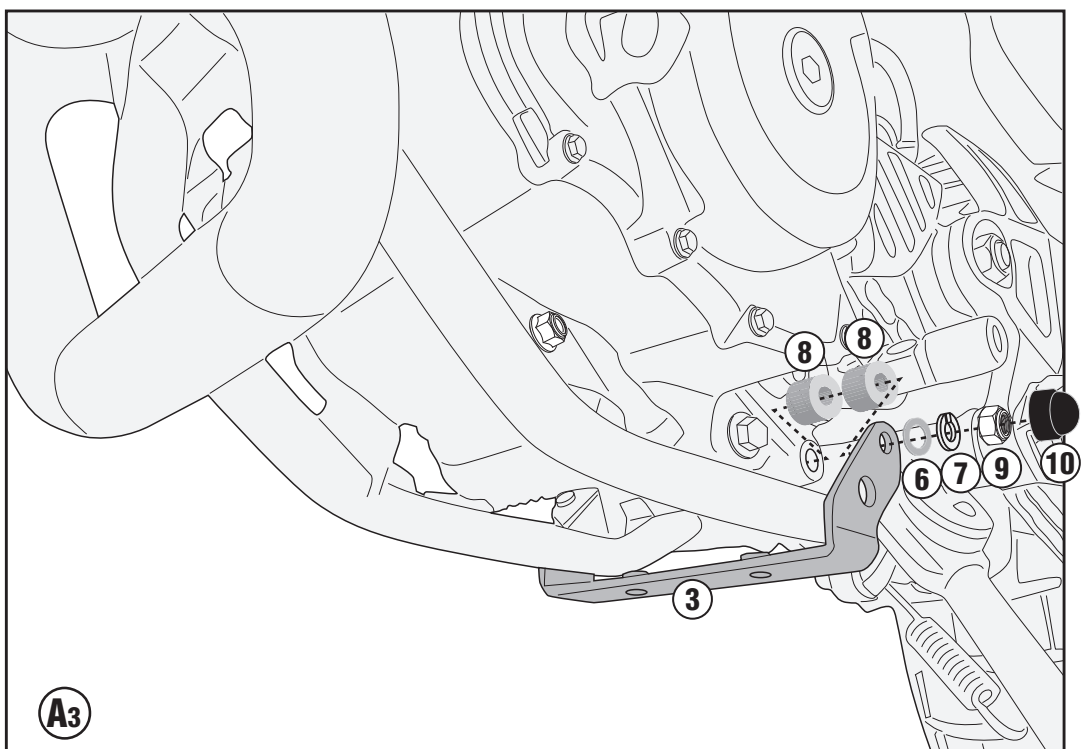
PARACOPPA - OIL CARTER PROTECTOR - SABOT MOTEUR - SPEZIFISCHER MOTORSCHUTZ - CUBRE CARTER - COBRE CARTER

FANTIC CABALLERO 500 (2018/2019)

REAR RIGHT SIDE



REAR LEFT SIDE



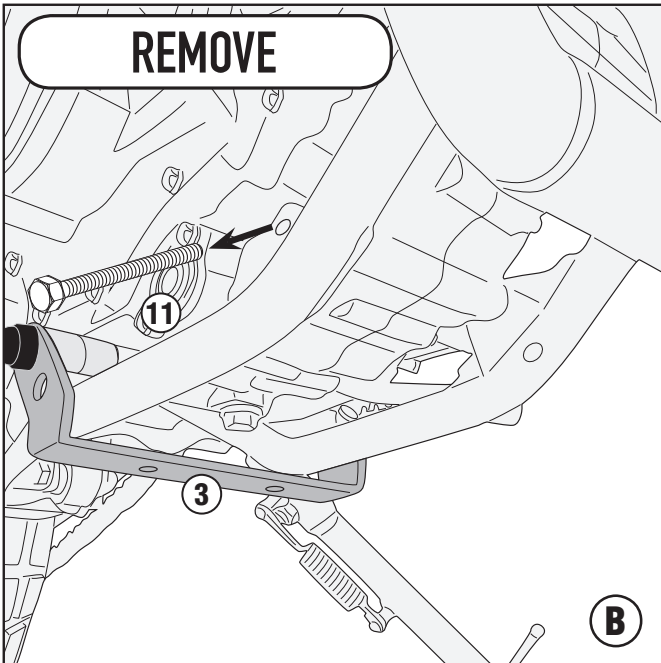
RP9150 - RP9150K

PARACOPPA - OIL CARTER PROTECTOR - SABOT MOTEUR - SPEZIFISCHER MOTORSCHUTZ - CUBRE CARTER - COBRE CARTER

FANTIC CABALLERO 500 (2018/2019)

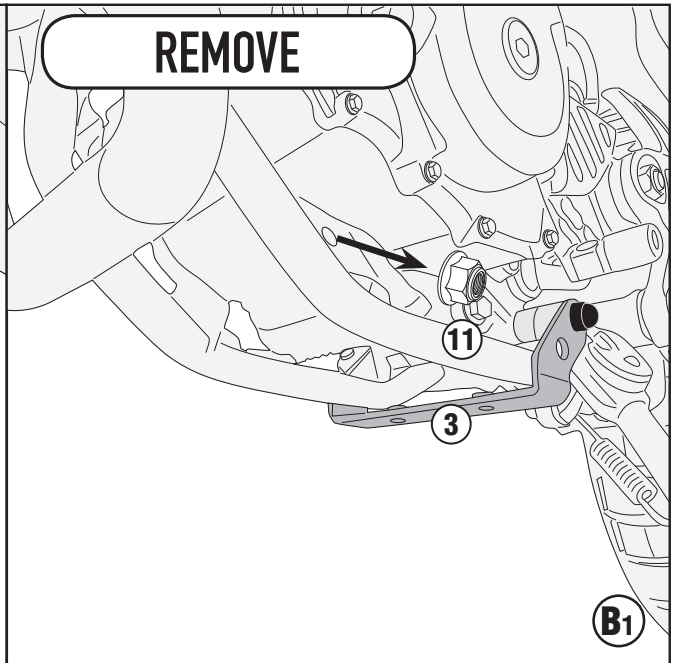
FRONT RIGHT SIDE

REMOVE

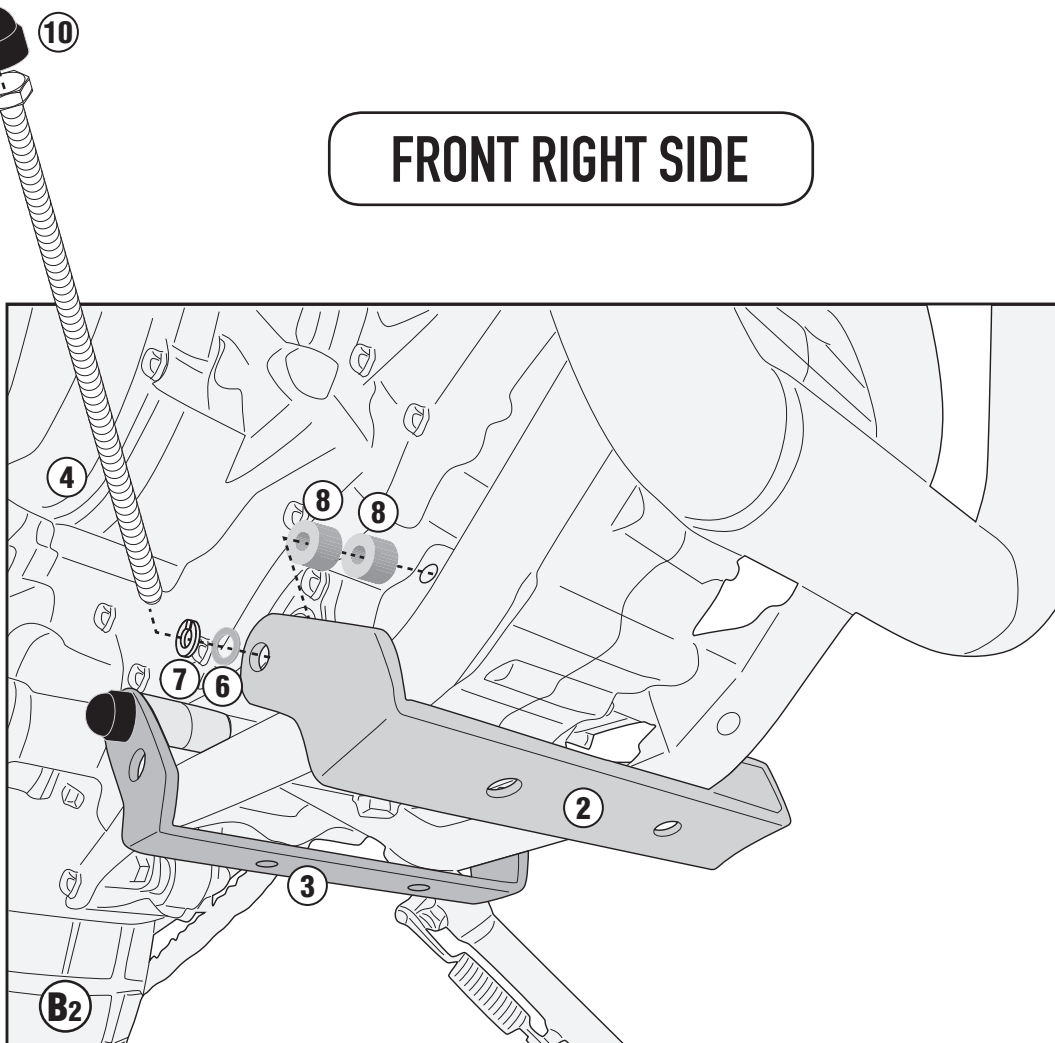


FRONT LEFT SIDE

REMOVE



FRONT RIGHT SIDE



RP9150 - RP9150K

PARACOPPA - OIL CARTER PROTECTOR - SABOT MOTEUR - SPEZIFISCHER MOTORSCHUTZ - CUBRE CARTER - COBRE CARTER

FANTIC CABALLERO 500 (2018/2019)

FRONT LEFT SIDE

